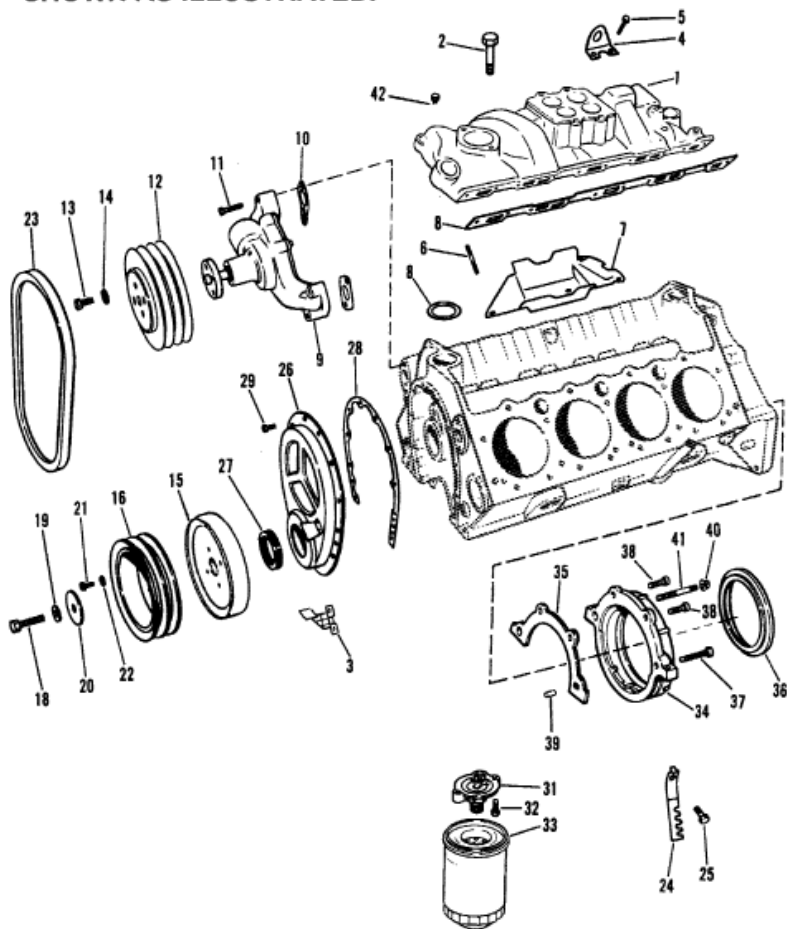


**NOTE: ORDER REPLACEMENT PARTS FROM THIS PAGE IF
 CRANKSHAFT PULLEY (REF. #16) IS STAMPED STEEL AND
 SHOWN AS ILLUSTRATED.**



1497

| Parts List | | | | | | |
|------------|-------|----------|---------------------|-----|-------------------------------------|----------|
| Ref | Class | Part | Description | Qty | Comment | Footnote |
| 1 | | 17618 | INTAKE MANIFOLD | 1 | (4 BARREL) | |
| 1 | | 17619 | INTAKE MANIFOLD | 1 | (2 BARREL) | |
| 1 | | 17620 | INTAKE MANIFOLD | 1 | (4 BARREL - HI-RISE) | |
| 2 | 10 | 806681 | BOLT | 9 | (3/8-16 X 7/8 IN.) | |
| 2 | 10 | 11975 | BOLT | 3 | (3/8-16 X 1-1/4 IN.) | |
| 3 | | 75435A 1 | TIMING POINTER | 1 | | |
| 4 | 54 | 47512 | LIFTING EYE | 1 | | |
| 5 | 10 | 34354 | SCREW | 1 | | |
| 6 | | N.S.S. | STUD (GM#3959544) | 4 | | 2 |
| 7 | | 72647 | GUARD | 1 | | |
| 8 | 27 | 17145 | GASKET SET | 1 | (Use RTV Silicone Sealant for end 4 | |
| 9 | | 17437 | WATER PUMP ASSEMBLY | 1 | | |
| 10 | 27 | 34897 | GASKET | 2 | | 4 |
| 11 | 10 | 32132 | SCREW | 2 | (1-3/4 IN.) | |
| 11 | 10 | 47688 | SCREW | 1 | (2-3/4 IN.) | |
| 11 | 10 | 52200 | SCREW | 1 | (1-1/2 IN.) | |
| 12 | | 15120T | PULLEY (3 GROOVE) | 1 | | |
| 13 | 10 | 47277 | SCREW | 4 | | |
| 14 | 13 | 39107 | LOCKWASHER | 4 | | |
| 15 | | 75420 | HARMONIC BALANCER | 1 | | |
| 16 | | 33863 | PULLEY (2 GROOVE) | 1 | | |
| 18 | 10 | 72626 | BOLT | 1 | | |
| 19 | 13 | 39131 | LOCKWASHER | 1 | | |
| 20 | 12 | 35332 | WASHER | 1 | | |
| 21 | 10 | 34352 | BOLT | 3 | (7/8 IN.) (W/O POWER STEERING) | |
| 21 | 10 | 35786 | BOLT | 3 | (1 IN.) (WITH POWER STEERING) | |
| 22 | 13 | 35048 | LOCKWASHER | 3 | | |
| 23 | 57 | 49213A 1 | DRIVE BELT (44 IN.) | 1 | | |
| 24 | | 35365 | SUPPORT | 2 | USE WHERE APPLICABLE | |
| 25 | 10 | 35366 | SCREW (2-1/2 IN.) | 2 | USE WHERE APPLICABLE | |
| 26 | | 14249A 2 | COVER | 1 | | |
| 27 | 26 | 97335 | OIL SEAL | 1 | | 4 |
| 28 | 27 | 14250 | GASKET | 1 | | 4 |
| 29 | 10 | 35366 | SCREW | 10 | | |
| 31 | | 53338 | FILTER VALVE | 1 | W/O REMOTE OIL FILTER | |
| 32 | 10 | 54786 | SCREW | 2 | W/O REMOTE OIL FILTER | |
| 33 | | 14957 | OIL FILTER | 1 | W/O REMOTE OIL FILTER | |
| 34 | | 14239 | RETAINER (REAR) | 1 | | |
| 35 | 27 | 14241 | GASKET | 1 | | 4 |
| 36 | 26 | 14240 | OIL SEAL (REAR) | 1 | | 4 |
| 37 | 10 | 14242 | BOLT | 1 | | |